

DIY BLINDS

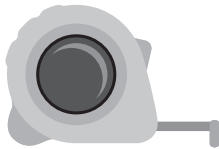
SIMPLE SETUP. STYLISH SAVINGS.

ROLLER SHADE INSTALLATION INSTRUCTIONS

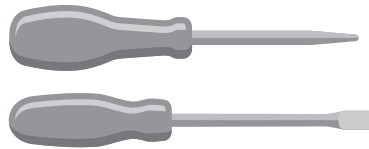
GETTING STARTED: TOOLS AND FASTENERS YOU MAY NEED (NOT INCLUDED)



The tools you will need for installing your shade will vary, depending on the installation surface and mounting bracket type. Tools typically used for installation include:



Metal Tape
Measure



Screwdrivers
(both flat and Phillips head)



Pencil



Drill with bits
(1/4 hex driver & drill bit)



Level
(to be used for outside mount)



Ladder

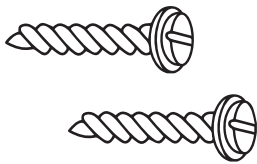


ROLLER SHADE INSTALLATION INSTRUCTIONS

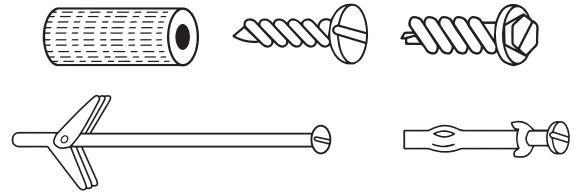
PLEASE FOLLOW THESE INSTALLATION INSTRUCTIONS

You will need a pencil, tape measure, drill, screwdriver, pliers, and appropriate fasteners.

➤➤ STEP 1: CHOOSE THE CORRECT FASTENERS



1 1/4" #8 Hex Head Wood Screws
(included)



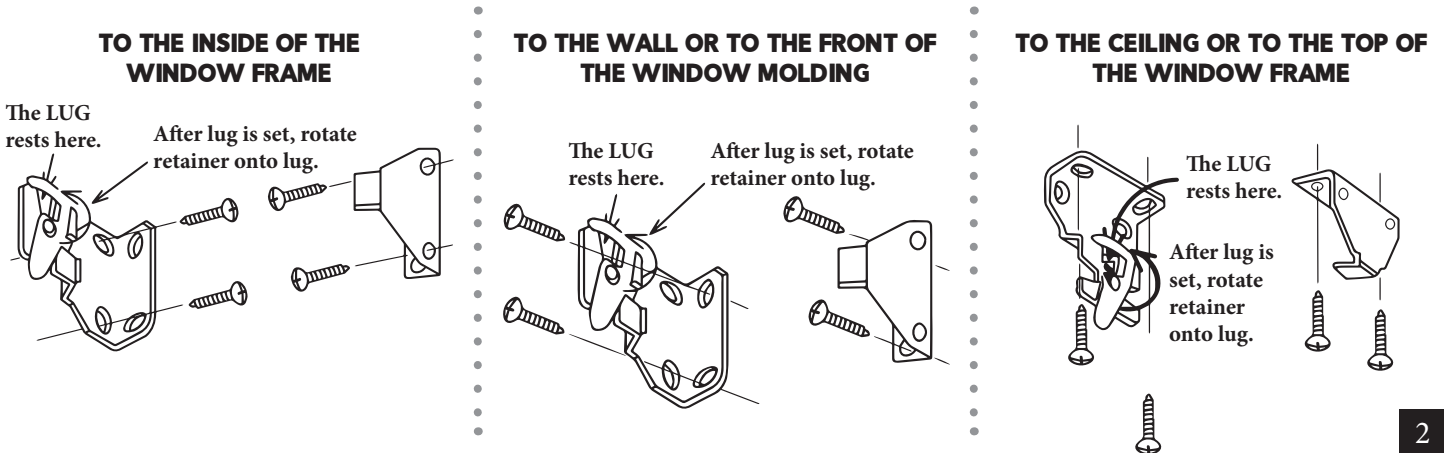
Alternative fasteners should be used for
aluminum or concrete installations
(not included with blinds)

➤➤ STEP 2: MOUNT THE BRACKETS

Installing a CASSETTE Shade? Complete ALT Step 2-3 on Page 5 before continuing to Step 4.

If the clutch is on the right end of the shade, attach the brackets to the window frame, window molding, wall or ceiling, as shown below.

If the clutch is on the left end of the shade, reverse the bracket positions, left for right.

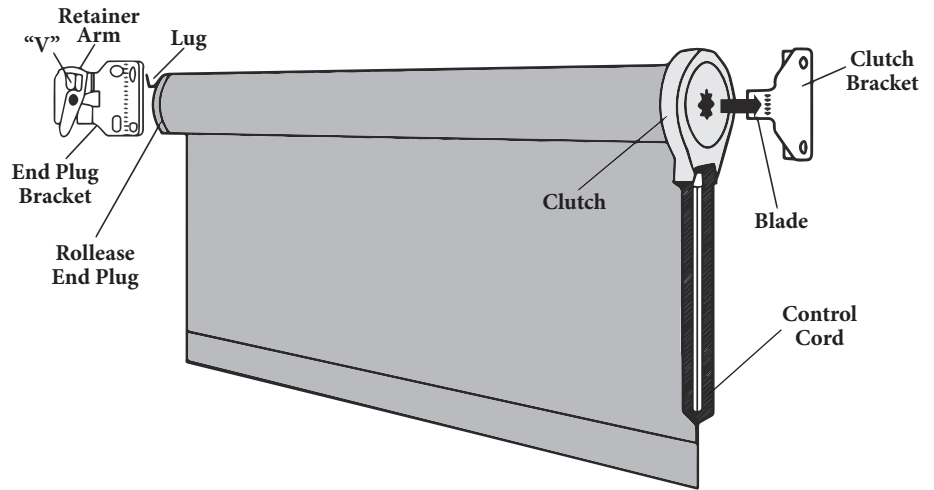




ROLLER SHADE INSTALLATION INSTRUCTIONS

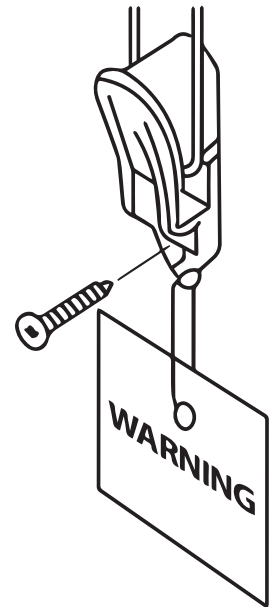
➤➤ STEP 3: INSTALL THE SHADE

- A. Push the clutch straight on the blade of its bracket. The bottom of the clutch should always point straight down.
- B. Lower the lug of the end plug onto the "V" of its bracket. The roller should fit in the brackets securely, with just a little play. Rotate the riveted retainer portion to lock the lug in position.



➤➤ STEP 4: INSTALL THE TENSION DEVICE

- A. Lower the shade.
- B. Hold the Tension Device upright so the Warning Tag hangs straight down as shown in diagram.
- C. Position the Tension Device on the window frame or the wall so that the Tension Device and control cord do not interfere with raising or lowering the shade. The Tension Device should be installed without stretching or pulling down on the control cord. Stretching the cord will cause excessive wear. Do not twist or cross the control cord. If using stop balls, position the Tension Device ¼ inch higher to allow the stop ball to pass through the Tension Device.
- D. Holding the Tension Device upright, and in position, as shown, insert and secure the screw through the hole. The mounting screw must be secured into a solid surface or molly.





ROLLER SHADE INSTALLATION INSTRUCTIONS

➤➤ **STEP 5: USE THE CONTROL CORD TO OPERATE SHADE**

Pulling gently on the cord in one direction raises the shade; pulling it in the other direction lowers it.

On shades where the fabric rolls against the window, the front cord does the raising. On shades where the fabric rolls toward the room, the rear cord does the raising.

➤➤ **STEP 6: ATTACH STOPS TO A BEAD CHAIN CONTROL CORD**

On metal bead chain, attach a metal stop ball that is at least $\frac{5}{16}$ inch in diameter, so that it touches the mouth of the clutch when the shade is in the all-rolled-up position.

For metal or plastic bead chain, lower the shade to sill or floor height, and attach the appropriate metal stop or plastic connector next to the clutch. This prevents the shade from being lowered beyond that point.



CASSETTE INSTALLATION INSTRUCTIONS

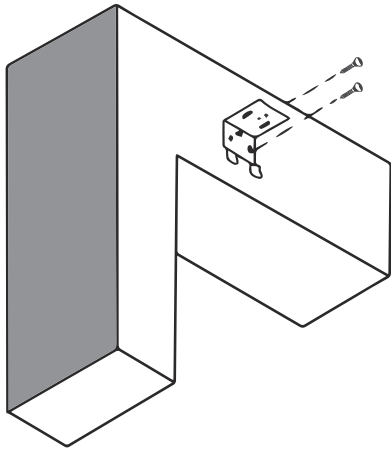
➤➤ ALT STEP 2-3: CASSETTE INSTALLATION

INSTALL BRACKETS

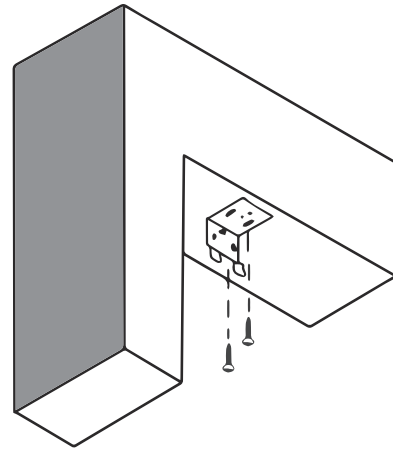
The mounting brackets mount to the wall using screws that are appropriate for the mounting surface. Follow the procedure below to mount the brackets.

1. Hold the roller shade assembly in the approximate mounting locations and check for proper fit.

OUTSIDE MOUNTS



INSIDE MOUNTS



2. Ensure that the mounting points are level with each other and mark the locations of the brackets.

NOTE: *If using end caps, be sure to have enough space for the end cap width.*

NOTE: *Brackets should be level when mounted. The roller shade assembly cannot be adjusted once mounted.*

SHADE MOUNTING DIMENSIONS

